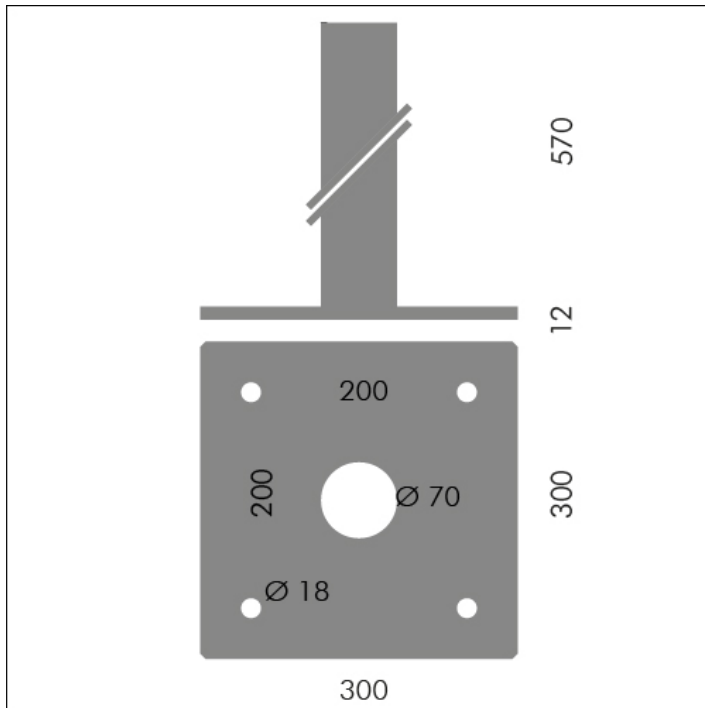


ACCESSORY

**S.1468**
FIXING BASE FOR SHIFT POLE

Base 300x300mm Spacing 200x200mm Holes for Ø18mm
mandatory for the installation of SHIFT POLE or S.1469
ANCHORING BASE

Accessory available in the following colors: Black (cod.09),
Anthracite grey (cod.24)