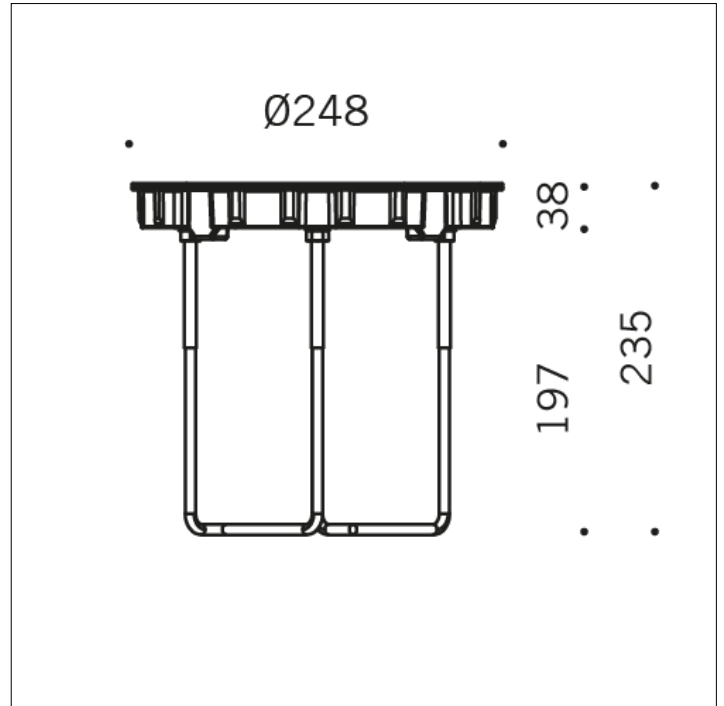


## ACCESSORY

**S.2119  
FLANGE**

Flange  $\text{Ø} 248\text{mm}$  h 235mm to be fixed in concrete with stainless steel screws for fixing in the ground. Footstall dimension can be calculated according to your country norms and ground properties.