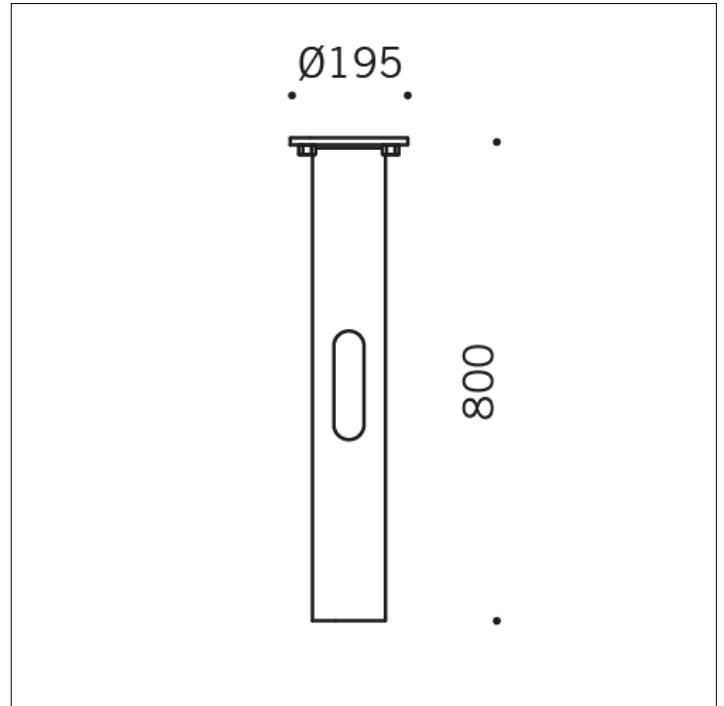


## ACCESSORY

**S.4129  
FLANGE**

Ø 195 mm h 800mm flange to be fixed in concrete with stainless steel screws for fixing in the ground.