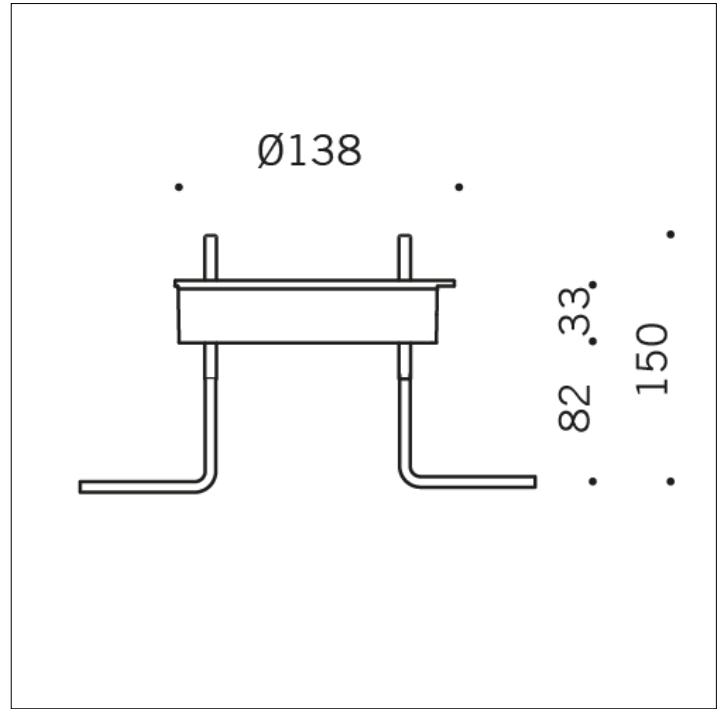
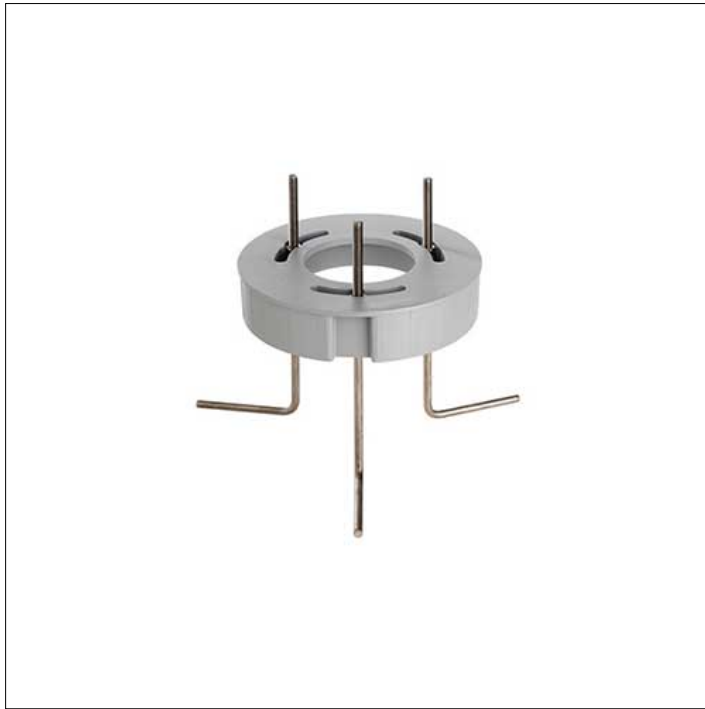


ACCESSORY

**S.4172
FLANGE**

Flange $\text{Ø} 140\text{mm}$ h 115mm to be fixed in concrete with stainless steel screws for fixing in the ground. Footstall dimension can be calculated according to your country norms and ground properties.