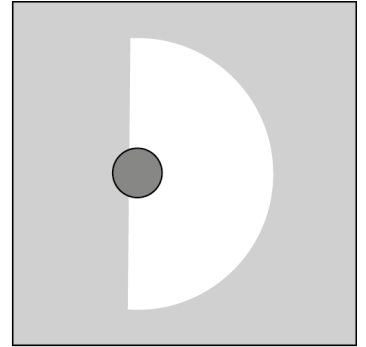
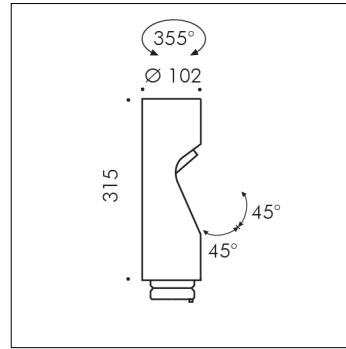


ACCESSORY

**S.1467H
MINISHIFT ADDITIONAL HEAD WITH ELLIPTIC OPTIC**

LED MODULE 2700K CRI90 1291lm 14,7W 220V-240Vac
50/60Hz Dimmable DALI 2 / PUSH IK10

Possibility to add to MINISHIFT BOLLARD AND MINISHIFT
POLE up to two additional heads, obtaining a configuration of two
or maximum three heads.

Accessory available in the following colors: Black (cod.09),
Anthracite grey (cod.24)