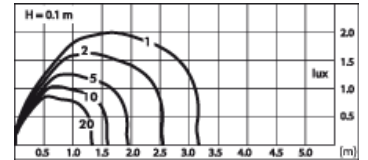
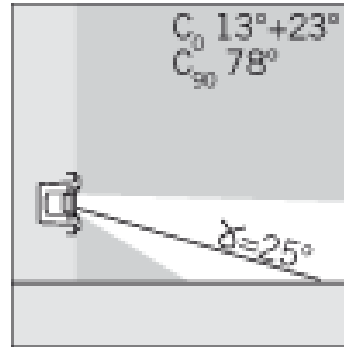
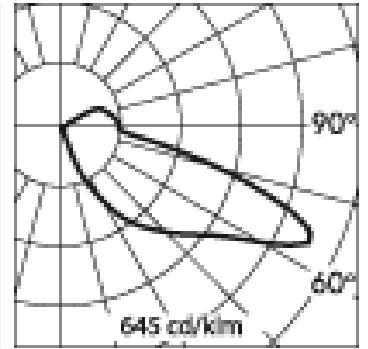
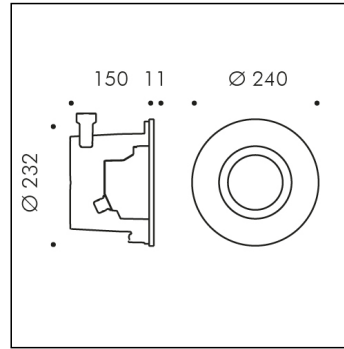


MINIPOOL



Item no longer in the catalogue.

S.3619
 QT12 90W 12V 1800lm GY6,35
 Recessed submersion



Light Source Technical Data

Light source type:	QT12 90W 12V
Colour temperature:	3000K
Rated module luminous flux:	1800lm
Rated luminaire luminous flux:	1402lm
Rated module power:	90W
Rated luminaire power:	90W
Luminaire efficacy:	16lm/W

Technical Installation Data

Electrical insulation class:	III
Protection class IP:	IP68
Mechanical resistance:	IK10
Weight:	3.5Kg
Power cable:	6m - H07RN-F

MINIPOOL
S.3619**SPECS SHEET****LUMINAIRE TYPE**

Submersion luminaire. IP rating IP 68

MATERIAL CHARACTERISTICS

Talc-filled technopolymer housing. Marine grade stainless steel AISI 316L front trim 2 mm thick. A4 grade Stainless Steel screws with 2,5-3% molybdenum content which increases the resistance against corrosion. Toughened transparent glass 10mm thick MICROPOOL, 12mm thick MINIPOOL/POOL. Mechanical resistance IK 10 Silicone gaskets.

LIGHTING PERFORMANCE

The holes along the ring of the luminaire allow for water circulation and work as an effective cooling system: the water enters the lower holes, circulates inside the recessing box and, once it's heated, it flows out of the upper holes. Lamp fixed position. LOR 66%

RECESSING BOX

Recessing box in technopolymer with front ring in stainless steel AISI 316L with cable entry on all 4 sides also allows: 1) Easy wiring; 2) Easy access to the fitting for maintenance purposes.

WIRING

Single cable entry with M20 brass cable gland. Luminaire hard wired with 6 m. cable (2 x 1.5 mm²) cable type H07RN8-F for MICROPOOL and 10 m. cable (2 x 2,5mm²) cable type H07RN8-F for MINIPOOL and POOL closed by cable gland and sealed with B component epoxy resin, wired internally protected by silicon sheaths Corrugated plastic pipe 5m long for MICROPOOL and MINIPOOL, 9m long for POOL. MICROPOOL with cold white led works also with traditional systems 12V CA (proper to substitute existing lamps for swimming pool with magnetic transformer 230V/12V CA). Isolation: CLASS III. Available colours: Stainless steel (cod.19). Weight: 3.5 Kg

Lamp included.

Not compatible with pools containing salt water and that are treated with salt water chlorination

Suitable for swimming pools in concrete and metal, recessed to the wall and on the bottom.

POOL REGISTERED DESIGN

MINIPOOL**S.3619****ACCESSORIES****S.3660****JUNCTION BOX IP65***

Junction box with cable glands for 3 cables IN (possibility of 3 more cables IN with S.3670 accessories) Maximum load capacity 500Kg
Dimensions 300mmx300mmx230mm

**S.3670****1 ADDITIONAL CABLE GLAND**

Required for the connection of over 2 luminaires to the junction box S.3660 / power supply S.3664, S.3665, S.3667, S.3668.